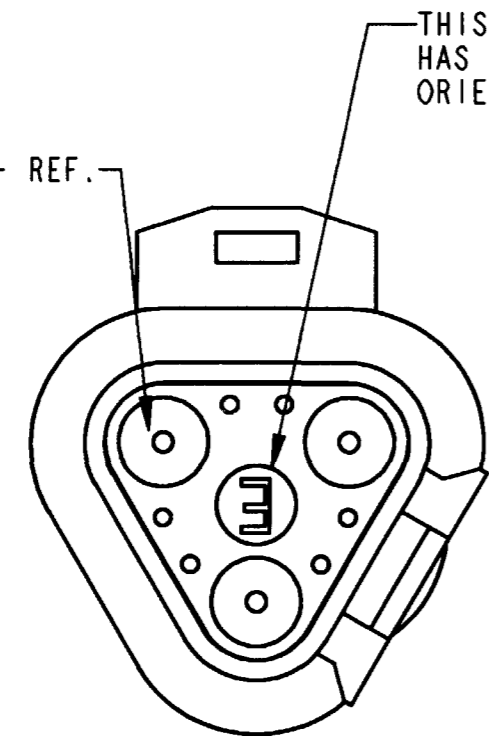
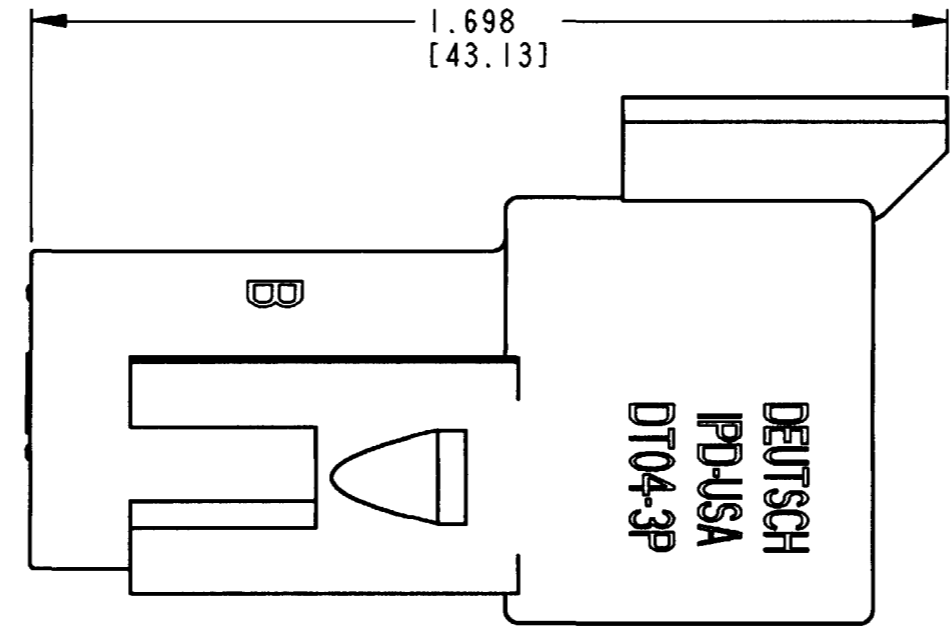


CAVITY -A- REF.

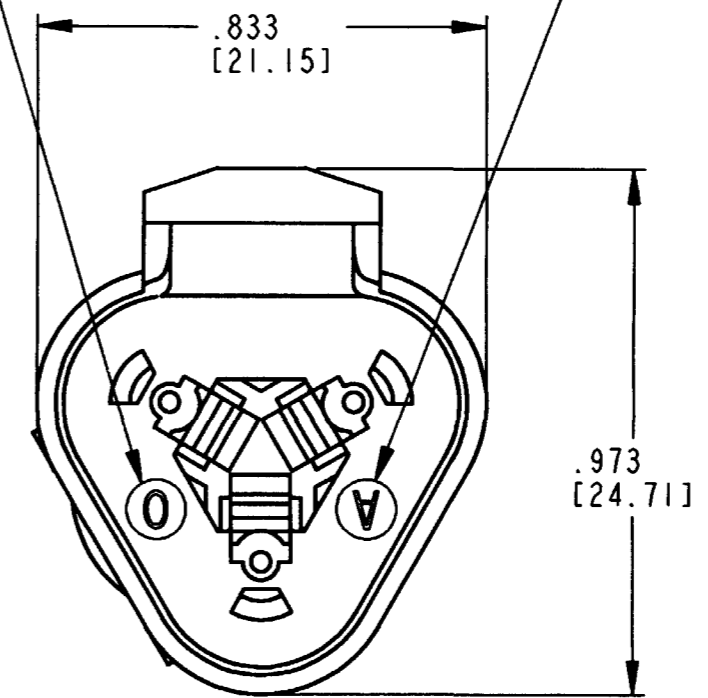


THIS MARK DESIGNATES ASSEMBLY HAS REDUCED DIAMETER WIRE SEALS. ORIENTATION OPTIONAL

DATE CODE: YEAR REPRESENTED BY LAST NUMERICAL DIGIT (EX: 0=2000).



DATE CODE: SEQUENTIAL ALPHA CHARACTERS REPRESENT MONTH (EX: A=JANUARY).



REV A DT04-3P-CE02

| REVISIONS | | | |
|-----------|-----------------------------|---------|----------|
| SYM | DESCRIPTION | DATE | APPROVED |
| NC | NEW RELEASE PER E.O. A14555 | 2/14/94 | JA |
| A | REVISED PER E.O. P16042 | 6-15-99 | RDR |

5. THIS CONNECTOR CAN PASS THRU A ONE INCH [25.44] HOLE.
4. THIS RECEPTACLE MATES WITH THE DT06-3S-**** PLUG (**** = ALL MODIFICATIONS). CONSULT FACTORY FOR MODIFICATIONS.
3. FOR CONTACTS AND WIRE PERFORMANCE AND APPLICATION CHARACTERISTICS SEE ENVELOPE DRAWING 0425-015-0000 AND 0425-017-0000.
2. DIMENSIONS ARE ±.025 [0.63] UNLESS OTHERWISE SPECIFIED.
1. DIMENSIONS ARE IN INCHES [MILLIMETERS].

NOTES:

| CONTACT SIZE | MIN. INSUL O.D. | MAX. INSUL O.D. | WIRE RANGE [mm ²] |
|--------------|-----------------|-----------------|-------------------------------|
| 16 | .053 [1.35] | .120 [3.05] | 14-20 AWG [2.0-0.5] |

| SIGNATURE & DATE | |
|------------------|---------------------------|
| DR | D. SPENCER 27 JAN 99 |
| CHK | [Signature] 6/3/99 |
| PE | [Signature] 5-27-99 |
| APPD | R. R. [Signature] 6-15-99 |
| SCALE | 3:1 WT |

3 WAY RECEPTACLE
-CE02 MOD.
COLOR: BLACK
DT SERIES

ENVELOPE

| | |
|--------------------------------------------------------------------------------------------|-----------------------|
| CP | MATL. CODE |
| The Deutch Company DEUTSCH I.P.D. 3850 INDUSTRIAL AVE. HEMET, CALIF. 92545 | |
| B | DT04-3P-CE02 |
| DWG SIZE | CODE 11139 SHEET OF |